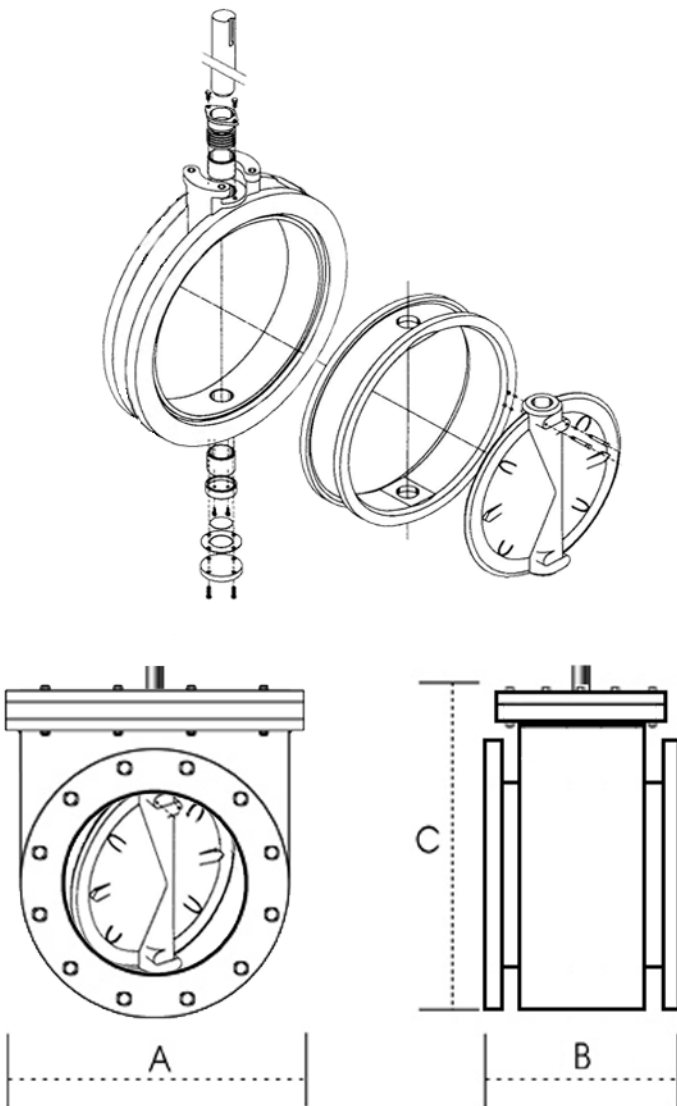


DYLAN CARTRIDGE VALVE™ SPECIFICATIONS

OCCLUDE REPAIRVALVES®: ALLOWS REPAIR OF THE BUTTERFLY WITHOUT A SHUTDOWN, HOT TAPPING CAN BE PERFORMED THROUGH THESE VALVES.

“ Size Spec Table Coming Soon ”



BODY:

Permanent Waterway
ASTM-516, Grade 70 or ASTM A-36 Steel
Available in 316 Stainless Steel

FLANGES:

Available in 150 – 300 - ANSI and METRIC versions
Option: 316 Stainless Steel ASTM A351 CF8M

GASKETS:

Buna-N Blend compounded for use with
water and sewage applications

COATINGS:

Fusion Applied Epoxy Coating
(AWWA C-213-79)

BOLTS:

Corrosion Resistant Low Alloy per
AWWA C-111, ANSI 21.11 / Optional Stainless

BUTTERFLY CARTRIDGE OPTIONS:

Disc: Ductile-iron ASTM A536 Gr.65-45-12
Option: 316 Stainless Steel ASTM A351 CF8M

SEAT:

EPDM – Buna-N – FKM*
2" - 22" Bray® 31H, 36H - 150psi
24" - 72" Bray® 32, 35 - 75psi
24" - 72" Bray® 33, 36 - 150psi
*FKM is the ASTM D1418 designation for
Fluorinated Hydrocarbon
Elastomers (also called Fluoroelastomers)

Patent No. 6,983,759 - 7,021,325

877.622.5833

RepairValve.com

